



Safety Instructions



0, 1, 4, 6, 7, 8, 11, 15,
16, 17, 19, 22, 25



Info Hotline

+49 (0) 5041 998 389

Mon. - Do. 7⁰⁰ - 20⁰⁰

Fr. 7⁰⁰ - 17⁰⁰



Paulmann Licht GmbH

31832 Springe / Germany

www.paulmann.com

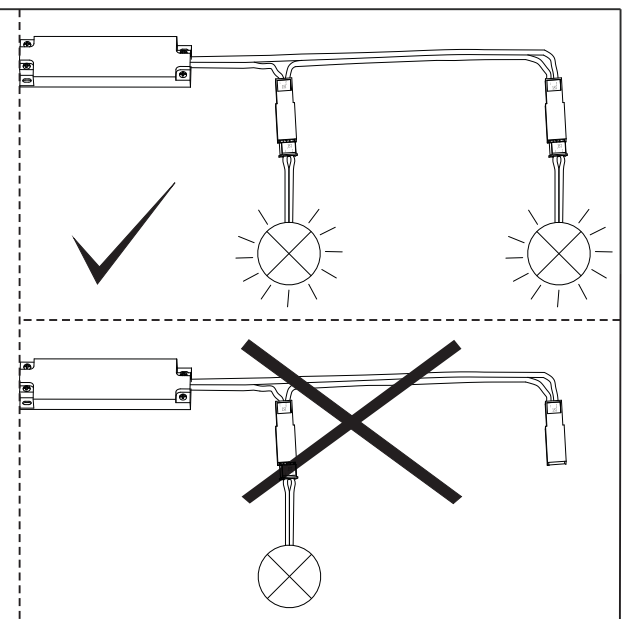
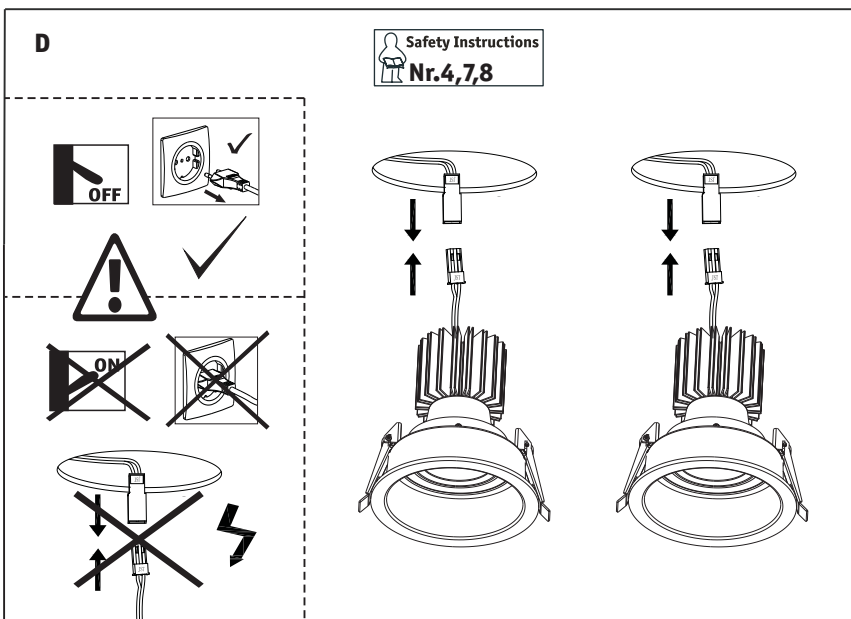
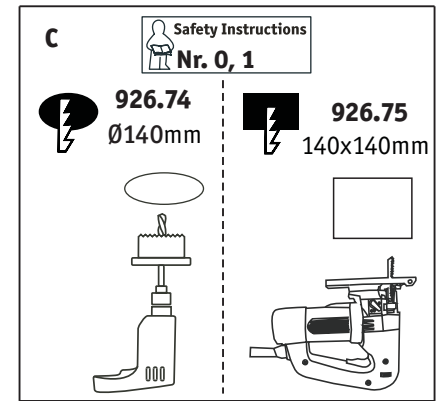
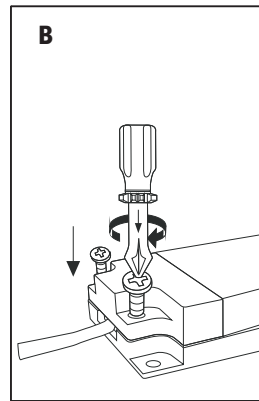
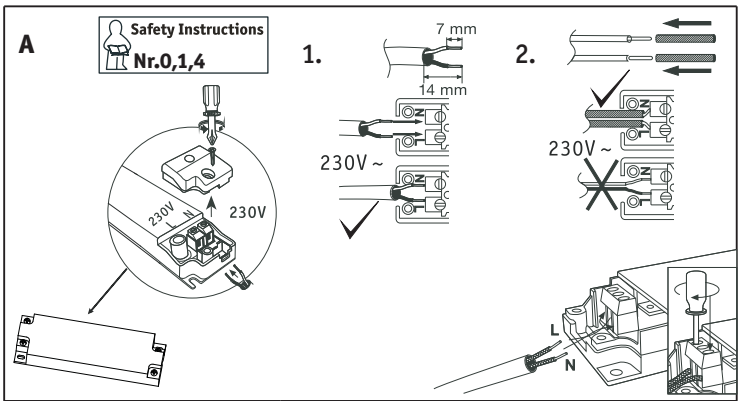
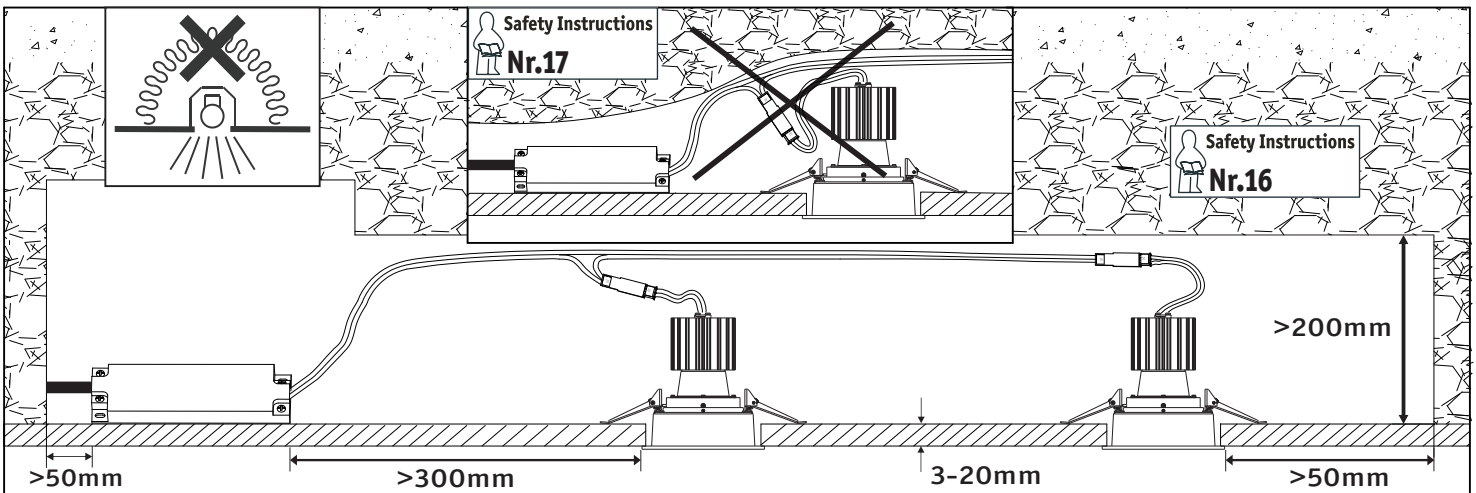
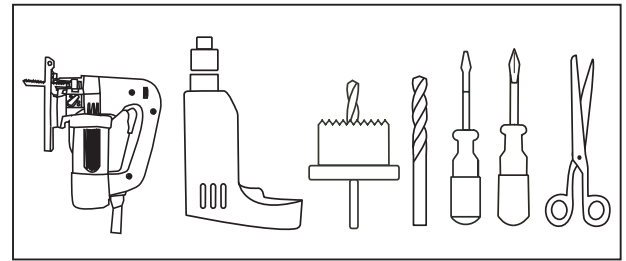
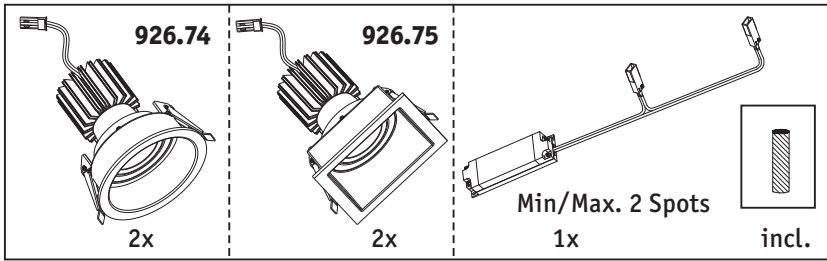
Art.-Nr.:

926.74

926.75

(+MA 173)

PKE 06/14



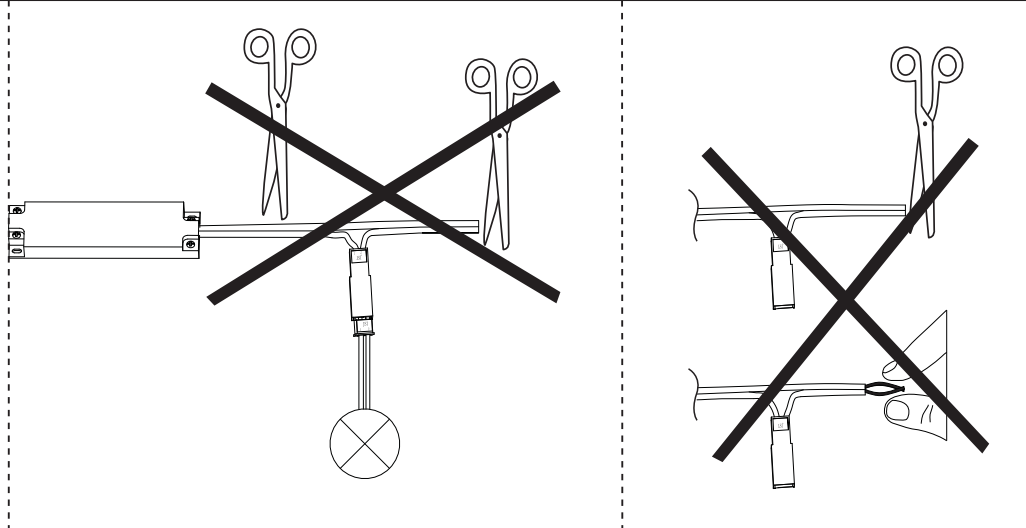
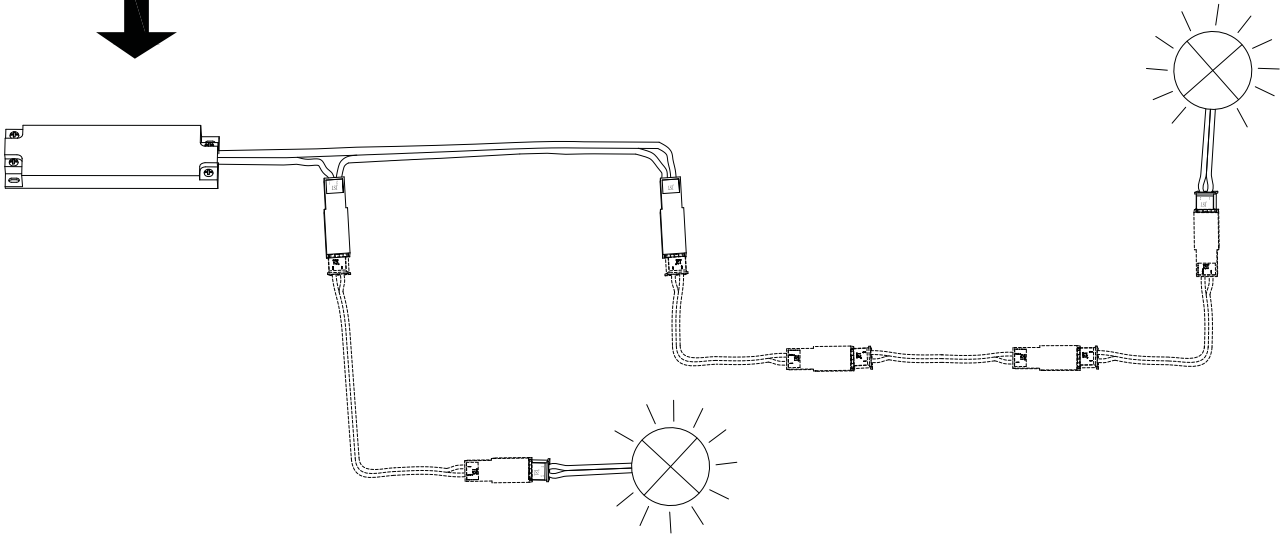
E



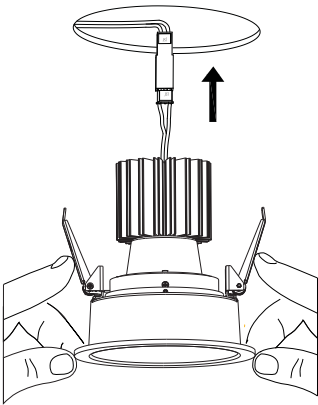
1 m



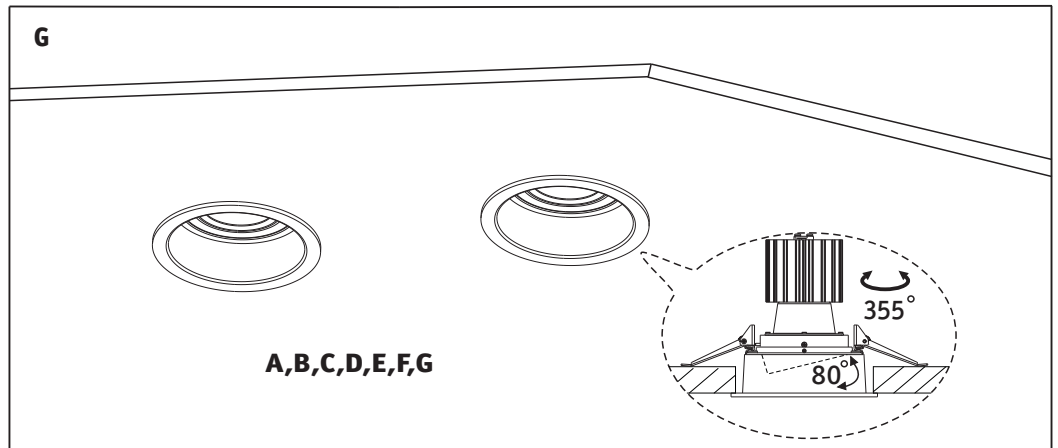
Paulmann
Art.-Nr. 233



F



G



A,B,C,D,E,F,G

